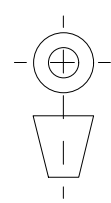
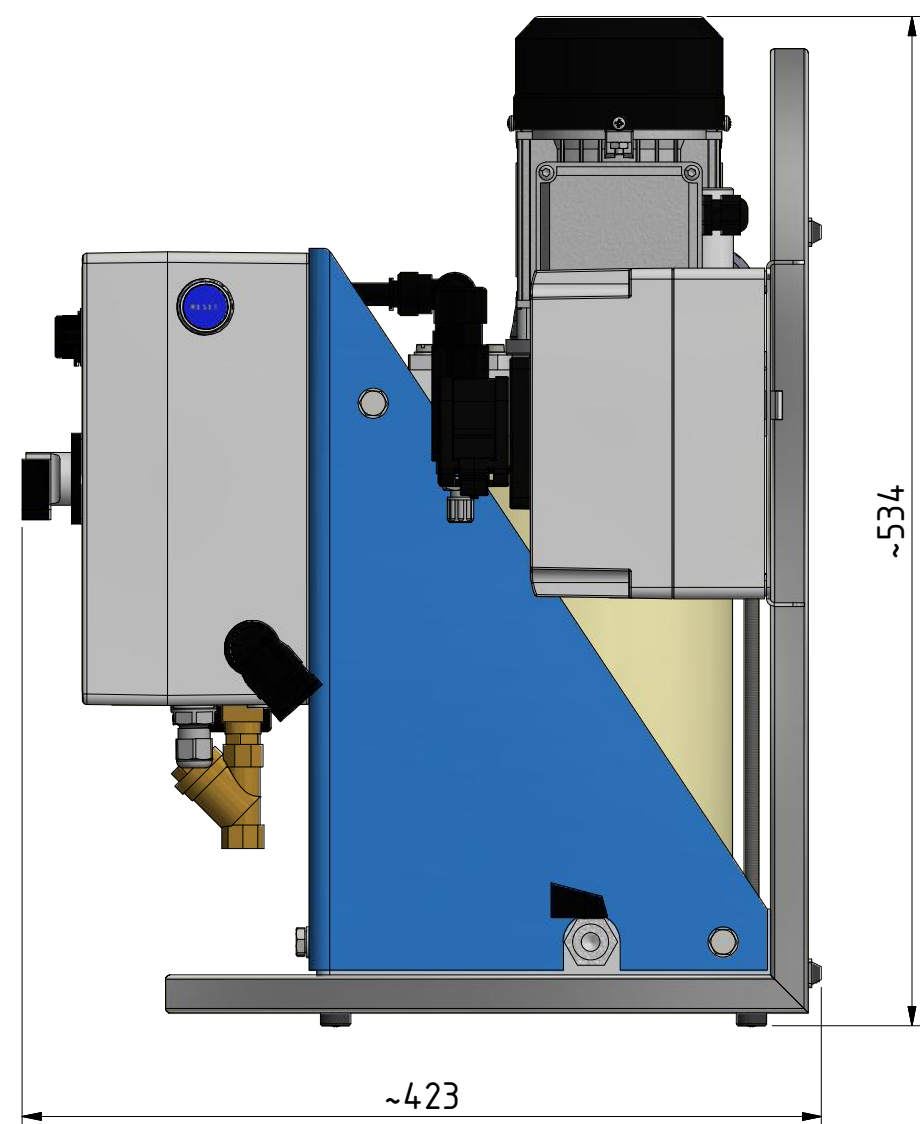


This drawing and associated computer data is the property of Polymore AB and must not be used, copied or disclosed to any third party without written consent.

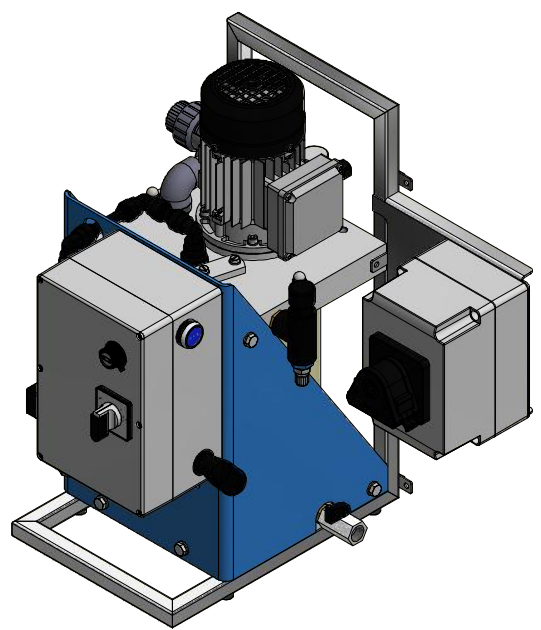
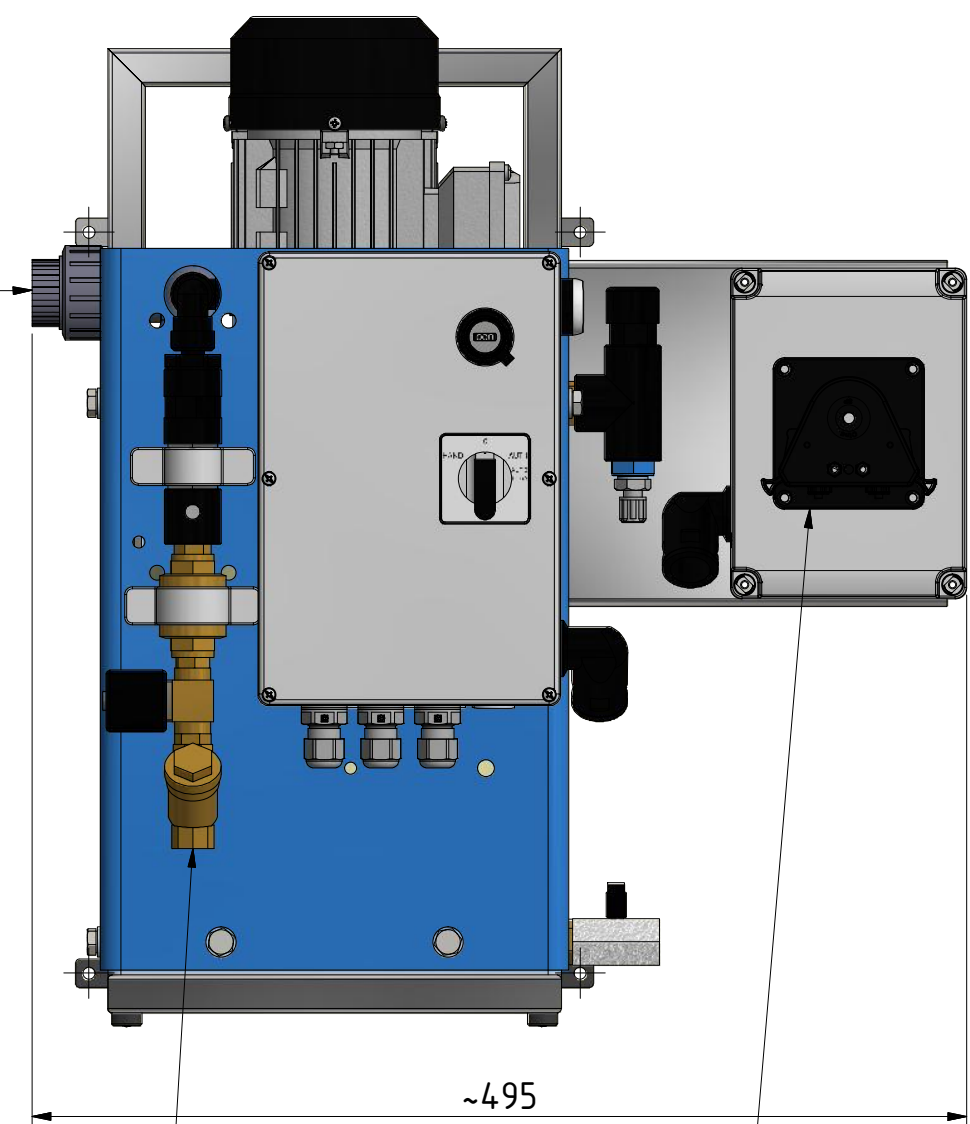
DEBURRED EDGES
Where nothing else is stated.




TOLERANCE acc. to ISO
Where tol. are not stated - ISO 2768-mH for machining
they should correspond with ISO 13 920:1996 for welding



Polymer solution outlet
ISO-G 3/4 female



| | | | | | |
|---|-----------------------------------|------------|-------------|------------------|------------|
|  Sweden www.polymore.se info@polymore.se | Designed by | Checked by | Approved by | Weight | Date |
| | FREMAN | | | 20,000 kg | 2016-03-18 |
| | Outline drawing POLYMORE micro | | | Filename IPT/IAM | Scale |
| | | | | Drawing number | Revision |
| | | | | 1504-01 | |